



26.5 GHz SMA LATCHING S.P.4 T. Subminiature SWITCH

OPTIONS :

R F CHARACTERISTICS

NUMBER OF WAYS : 4
 FREQUENCY RANGE : 0 - 26.5 GHz
 IMPEDANCE : 50 Ohms

FREQUENCY (GHz)	0 - 3	3 - 8	8 - 12.4	12.4 - 18	18 - 26.5
V.S.W.R <=	1.20	1.30	1.40	1.50	1.60
INSERT. LOSS <=	0.20 dB	0.30 dB	0.40 dB	0.50 dB	0.60 dB
ISOLATION >=	80 dB	70 dB	60 dB	60 dB	55 dB
AVER. POWER (25°C)	240 W	150 W	120 W	100 W	40 W

ELECTRICAL CHARACTERISTICS

ACTUATOR : LATCHING
 NOMINAL CURRENT AT 25°C (±10%) : 98 mA / RESET : 392 mA (**)
 ACTUATOR VOLTAGE (Vcc) : 28V (21 to 30V) / NEGATIVE COMMON
 TERMINALS : 16 pin double row connector for connecting to 2.54mm pitch female socket wrapping or soldering (250°C max/30 sec)

MECHANICAL CHARACTERISTICS

CONNECTORS : SMA female per MIL C 39012
 LIFE : 10.000.000 cycles per position
 SWITCHING TIME (nominal voltage; 25°C) : < 10 ms
 WEIGHT : < 120 g

ENVIRONMENTAL CHARACTERISTICS

OPERATING TEMPERATURE RANGE (°C) : -40 , +85
 STORAGE TEMPERATURE RANGE (°C) : -55 , +85
 VIBRATION - MIL STD 202, meth.204 : 10 - 2000Hz , 20g (operating)
 SHOCKS - MIL STD 202, meth.213 : 100 g / 6ms / half-sine (operating)

(** RESET : supply voltage time 1sec. max./duty cycle 10%)

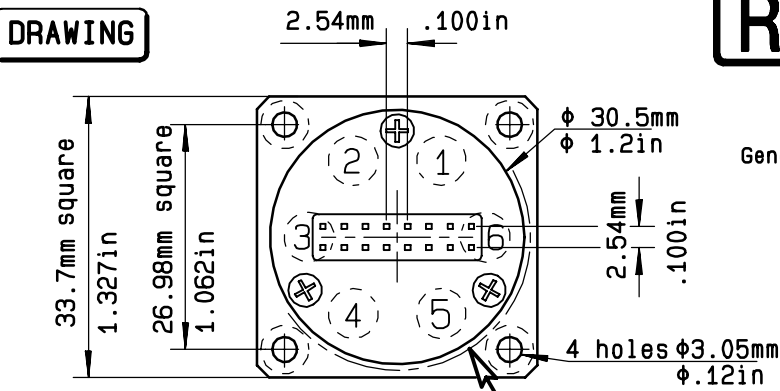
This information is given as an indication. In the continual goal to improve our products, we reserve the right to make any modifications judged necessary

4113-9212 This information is given as an indication. In the continual goal to improve our products, we reserve the right to make any modifications judged necessary

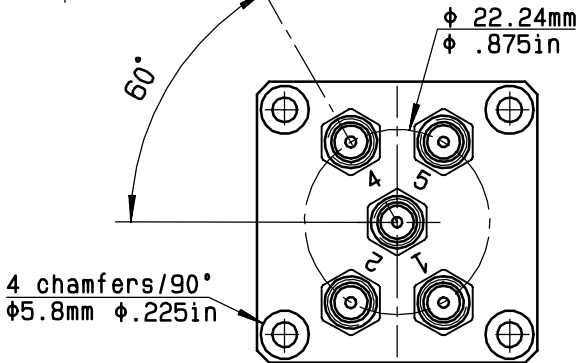
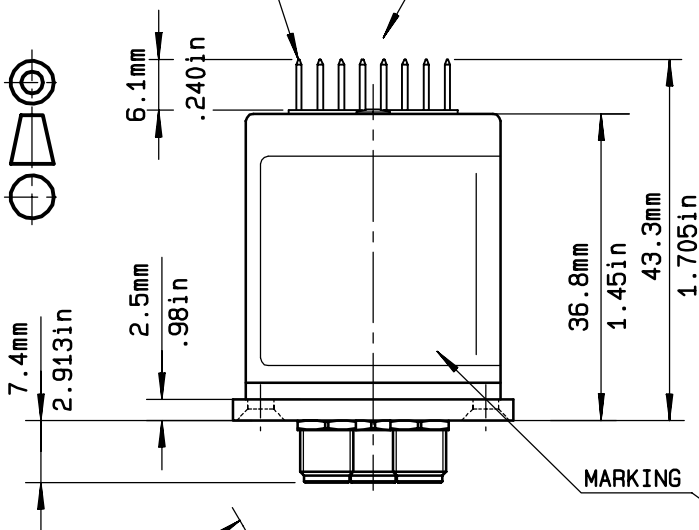
R591 723400

DRAWING

General tolerance: ± 0,5 mm

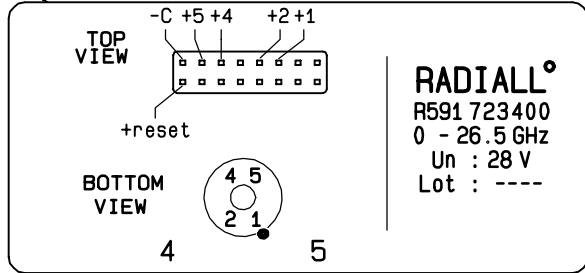


16 pin double row connector
0.64mm (.025in) SQ. MARKING



Voltage	RF continuity
-C +RESET	All ports open
-C +1	IN ↔ 1
-C +2	IN ↔ 2
-C +3	IN ↔ 3
-C +4	IN ↔ 4

TOP VIEW (TERMINALS)



SCHEMATIC DIAGRAM

